

D24 Composite Prox Cards

Delivering durability and high quality to optimize your Prox solutions...

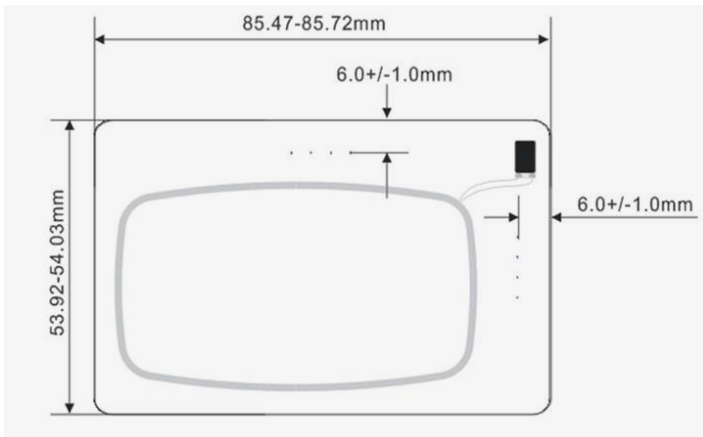


Introducing the D24 Composite Cards

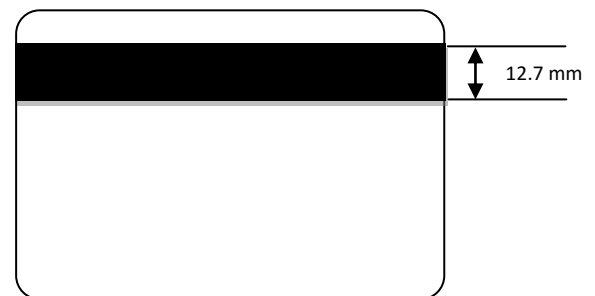
Reliability with the strength of a highly durable 60/40 PVC/PET composition makes these the ideal card solution when sleek card design and composition matter. These cards are made to withstand the test of time while still allowing for a practical card application that's multifunctional, flexible, and fits in your wallet. Whether temperature, exposure, or increased wear and tear, this card not only is a great substitution for traditional clamshell cards but also withstands in circumstances that would more readily potentially compromise alternative PVC card options. When quality and security matter, composite cards provide the optimal card choice.

D24 Composite Prox Card Specification

Product	Part#: D24-XTR-PRX-001 Part#: D24-XTR-PRX-101 (Hi-Co Mag) Blank Composite cards with LF125Khz chip, LF antenna and hole punch marks.
Material	
Card Type	60% PVC(Polyvinyl Chloride)/ 40% PET (Polyethylene)
Inlay	IC: LF 125 KHz
	COIL: 40x70mm
Specification	
Dimension	Thickness : 0.89 ~ 0.92mm; Width : 53.92 ~ 54.03mm; Length : 85.47 ~ 85.72mm
Operating Temp.	-40 to 160°F (-40 to 70°C)
Write Endurance	100,000 cycles
Function	Frequency: 125KHz+/-6KHz
	Read range: > 4 cm
	Mag Option: High coercivity magnetic stripe rated 4000 Oersted
Mechanical Test	Peel Strength $\geq 0.35\text{N/mm}$
	ISO Bending Bending: 100,000 cycles
Visual Test	Bubble: <1mm; Dent: Front side, <0.8mm, Back side, <2mm Protruding: <0.8mm Scratch: Width <0.2mm, Length<19.05mm Color Dot: <0.8mm Printing Test: Card surface can be thermal printed
Thermal Shock Test	Test condition: -35°C to 70°C, 50 cycles, soaking time 5 minutes, transition time 1 min. Criteria: RF function OK, No de-lamination.
Storage Conditions	Humidity: 45 - 75% relative humidity Temperature: 22 \pm 3°C



Internal Structure & Dimensions
D24-XTR-PRX-001 and D24-XTR-PRX-101



Back
D24-XTR-PRX-101

DigiOn24 Inc
321 N Aviator St
Unit 109
Camarillo, CA 93010