

## D24 PVC Prox Cards

Delivering high quality and cost-effective options for your Prox needs...

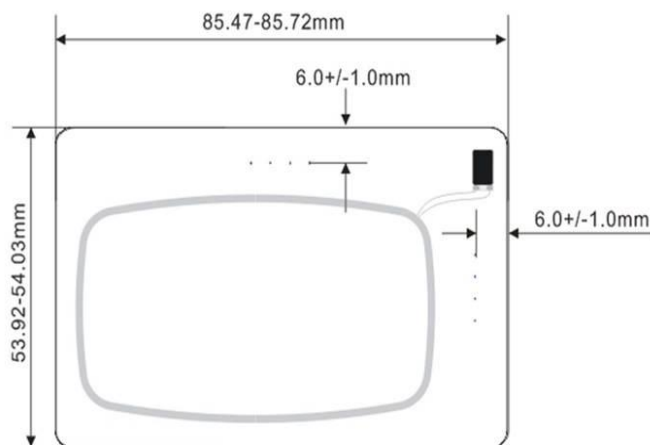


### Introducing the D24 PVC Prox Cards

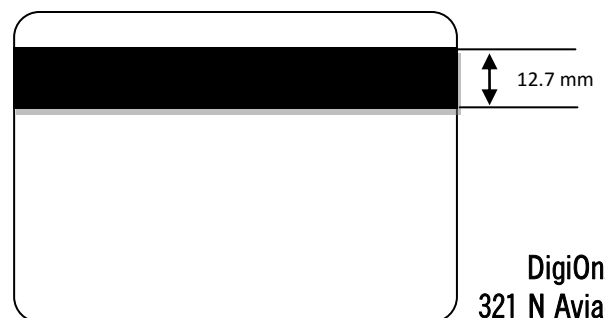
Introducing our standard PVC Prox cards. These are the ideal solution for customers looking for a high quality yet cost-effective Prox card. With a flexible structure, these cards provide the optimal solution when running large custom print orders through a card printer, especially when printing full color card surface images. Multifunctional and practical, we provide these cards standard in both solid white back and front composition, as well as with the Hi-Co Magnetic stripe back. Custom color and specification options available upon request.

## D24 PVC Prox Card Specification

<b>Product</b>	<b>Part#:</b> D24-PVC-PRX-001 <b>Part#:</b> D24-PVC-PRX-101 (Hi-Co Mag) Blank PVC cards with LF125Khz chip, LF square antenna and hole punch marks.
<b>Material</b>	
<b>Card Type</b>	PVC
Inlay	IC: LF 125 KHz
	COIL: 40x70mm
<b>Specification</b>	
Dimension	Thickness : 0.68 ~ 0.84mm
	Width : 53.92 ~ 54.03mm
	Length : 85.47 ~ 85.72mm
Function	Frequency: 125KHz+/-6KHz
	Read range: > 4 cm
	Mag Option: High coercivity magnetic stripe rated 4000 Oersted
Mechanical Test	Peel Strength $\geq 0.35\text{N/mm}$
	ISO Bending & Torsion Test Bending: 2000cycles Torsion: 1000cycles
Visual Test	Bubble: <1mm; Dent: Front side, <0.8mm, Back side, <2mm Protruding: <0.8mm Scratch: Width <0.2mm, Length<19.05mm Color Dot: <0.8mm Printing Test: Card surface can be thermal printed
Thermal Shock Test	Test condition: -35°C to 50°C, 50 cycles, soaking time 5 minutes, transition time 1 minute Criteria: RF function OK, No de-lamination.
Storage Conditions	Humidity: 45 - 75% relative humidity Temperature: 22 $\pm$ 3°C



Internal Structure & Dimensions  
D24-PVC-PRX-001 and D24-PVC-PRX-101



Back  
D24-PVC-PRX-101

DigiOn24 Inc  
321 N Aviator St  
Unit 109  
Camarillo, CA 93010